

600



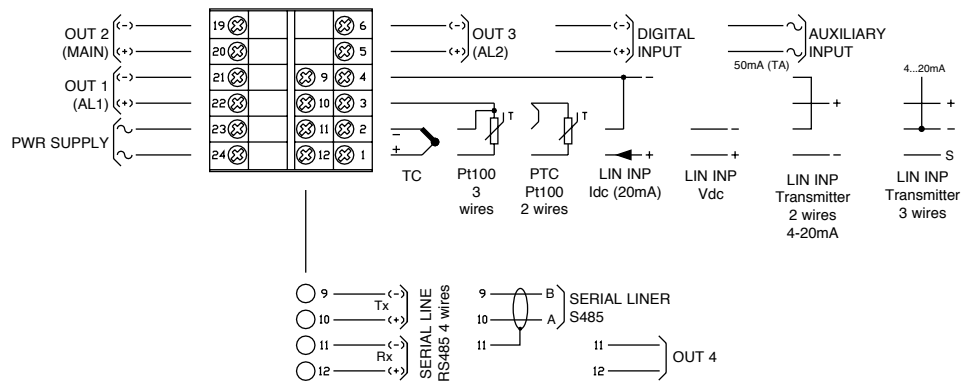
a

CONTROLLER WITH CONFIGURABLE ALARMS



Microprocessor controller, configurable from faceplate keys. Universal input, 4-digit double display.

- Inputs TC, RTD, PTC, NTC, mV, V, mA linear inputs
- Faceplate protection: IP65
- Control: PID heat/cool
- Analog output
- RS485



CE UL

Outputs	Special functions	Serial Communication	Power supply	Order code	SAP/METEL code	
2 relays + 1 logic	-		20..27Vac/Vdc	600-R-D-R-0-0	F000537	
2 relays + 1 logic	-		100..240Vac/Vdc	600-R-D-R-0-1	F000060	A
3 relays	-		20..27Vac/Vdc	600-R-R-R-0-0	F023397	
3 relays	-		100..240Vac/Vdc	600-R-R-R-0-1	F000053	A
3 relays + 1 logic	-		20..27Vac/Vdc	600-R-D-R-R-0	F000538	A
3 relays + 1 logic	-		100..240Vac/Vdc	600-R-D-R-R-1	F000540	
4 relays	-		20..27Vac/Vdc	600-R-R-R-R-0	F000519	
4 relays	-		100..240Vac/Vdc	600-R-R-R-R-1	F000522	A
1 relay + 1 logic	Analog output		20..27Vac/Vdc	600-R-D-W-0-0	F026524	
1 relay + 1 logic	Analog output		100..240Vac/Vdc	600-R-D-W-0-1	F000546	
2 relays + 1 logic	Analog output		20..27Vac/Vdc	600-R-D-W-R-0	F027407	
2 relays + 1 logic	Analog output		100..240Vac/Vdc	600-R-D-W-R-1	F031074	
2 relays	Analog output		20..27Vac/Vdc	600-R-R-W-0-0	F026579	A
2 relays	Analog output		100..240Vac/Vdc	600-R-R-W-0-1	F000056	A
3 relays	Analog output		20..27Vac/Vdc	600-R-R-W-R-0	F027158	
3 relays	Analog output		100..240Vac/Vdc	600-R-R-W-R-1	F027849	
1 relay + 1 logic	TA input		20..27Vac/Vdc	600-R-D-H-0-0	F026417	
1 relay + 1 logic	TA input		100..240Vac/Vdc	600-R-D-H-0-1	F026756	
2 relays + 1 logic	TA input		20..27Vac/Vdc	600-R-D-H-R-0	F027394	
2 relays + 1 logic	TA input		100..240Vac/Vdc	600-R-D-H-R-1	F000550	
2 relays + 1 logic	-	RS485	20..27Vac/Vdc	600-R-D-R-2-0	F032295	
2 relays + 1 logic	-	RS485	100..240Vac/Vdc	600-R-D-R-2-1	F000061	A
2 relays	Analog output	RS485	20..27Vac/Vdc	600-R-R-W-2-0	F000525	
2 relays	Analog output	RS485	100..240Vac/Vdc	600-R-R-W-2-1	F000527	

All configurations can be seen on www.gefran.com